

Mounting Tendaire Vibrator Elliptical Bed

Optional "C" channel mounting plates
are available to simplify installation.

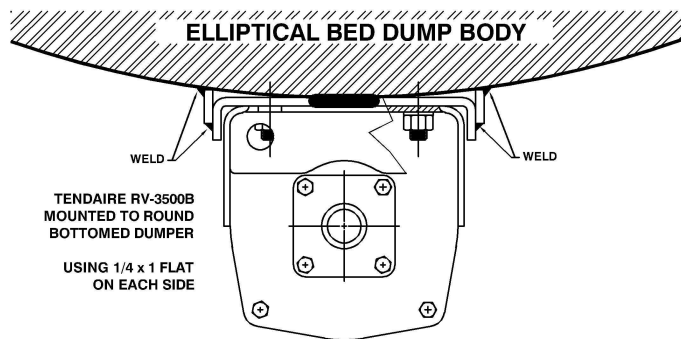
18 inch length (P/N 110-0217A)

24 inch length (P/N 110-0225A)

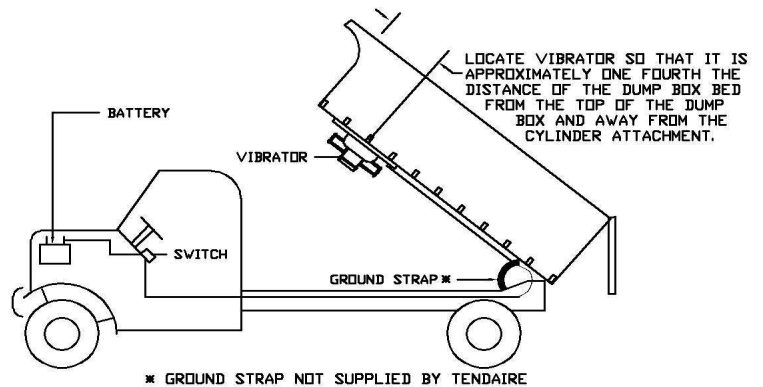
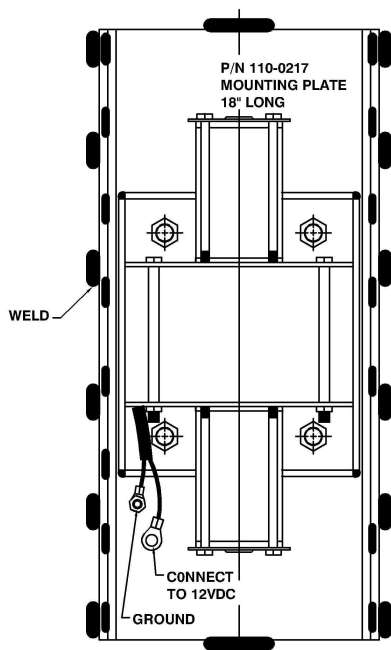
*If ordered together, the vibrator comes
preassembled to mounting plate—
Just weld in place.*

*We can also supply the power connector(s)
(with 6 Ga. ground wire included)*

(50 Foot of 6 Ga. Battery Cable, Push-button Switch and 6 sec. Timer come standard)



Tendaire Industries
1-800-369-3769



ELLIPTICAL BED MOUNTING

*Using 18 inch long
"C" mounting plate*

Please **KEEP** these instructions so you can make copies for your shop!