

Tendaire Vibrator Direct Bed Mount *between the Long Beams*

*Optional "C" channel mounting plates
are available to simplify installation.*

18 inch length (P/N 110-0217A)

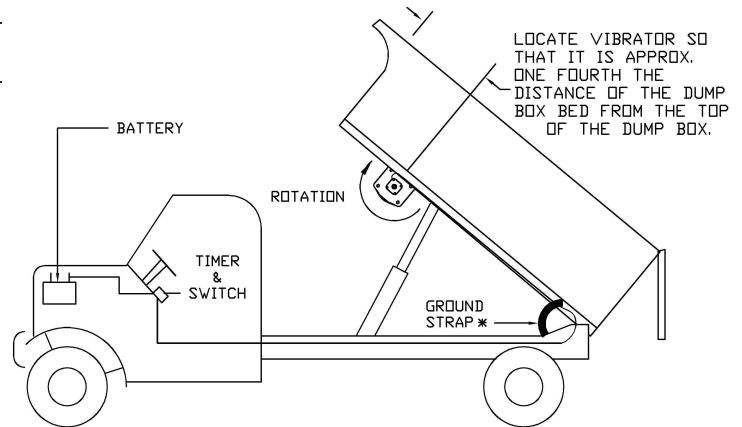
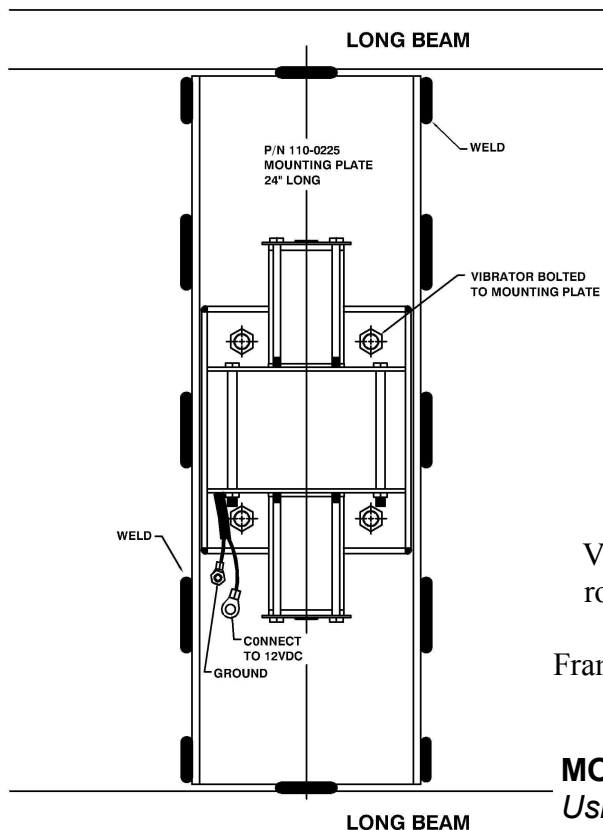
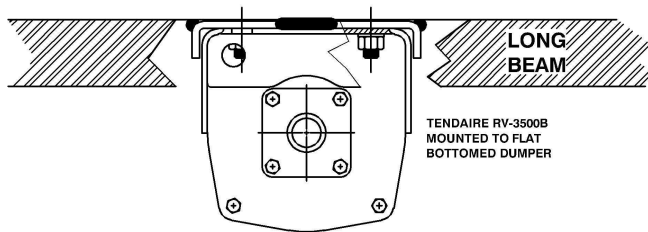
24 inch length (P/N 110-0225A)

*If ordered together, the vibrator comes
preassembled to mounting plate—
Just weld in place.*

*We can also supply the power connector(s)
(with 6 Ga. ground wire included)*

(50 Foot of 6 Ga. Battery Cable, Push-button Switch and 6 sec. Timer come standard)

Tendaire Industries
1-800-769-3769



* GROUND STRAP NOT SUPPLIED BY TENDAIRE

Vibrator should be mounted as shown where the axis of rotation is parallel to the ground & rotation of weight is toward direction of material flow.
Frame of vibrator is marked to indicate direction of rotation.

MOUNTED BETWEEN LONG BEAMS
Using 24 inch long "C" mounting plate

Please **KEEP** these instructions so you can make copies for your shop!