

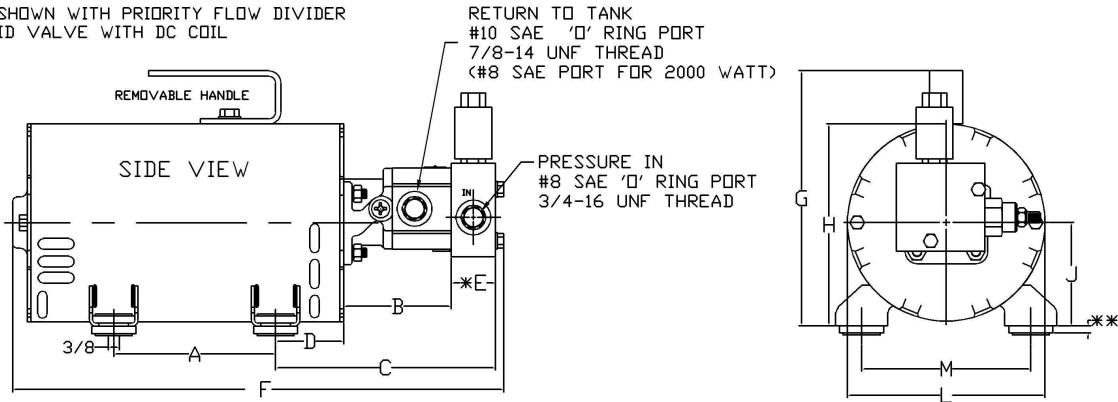
Model 1BCHF-30/004 Specifications

3000 WATT

This generator is designed to provide power for electric tools such as chain saws, drills, impact wrenches, core drills, heaters, pumps, sprayers, universal motors up to 4 horse power or induction motors up to 1 horse power.

MECHANICAL STRUCTURE	Steel Frame and End Bells
VOLTAGE	115 Volts AC
WATTAGE	3000 Watt Continuous 3200-3500 Watt Max. Peak
ROTATION	Clockwise at hydraulic motor end.
SPEED	3600 R.P.M. (60 Hz.)
VOLTAGE REGULATION	12 Volt DC Regulator
EXCITATION	12 Volt DC
COOLING	Internal fan
TEMPERATURE RISE	50 degrees centigrade
INSULATION	Class F (155 degrees centigrade rating)
HYDRAULIC REQUIREMENTS (For 60 Cycle)	6.7 GPM (Max.) at 2000 PSI Bypass/restrictive, fixed-orifice, priority flow control With Normally Open Solenoid w /12 VDC coil Mounted directly to Hydraulic Motor
PORTS	Inlet- #8 SAE (3/4-16) O-Ring Boss Outlet- #10 SAE (7/8-14) O-Ring Boss
ELECTRICAL CONNECTION	3 leads for AC- Black, White & Green 2 leads for DC- Red & Blue, 2 Leads for Solenoid DC
SHOCK DAMPENING MOUNTING	5 1/2 x 5 1/2 Pattern Using Four 3/8-16 Hex Head Bolts
WEIGHT	65 Lbs.

NOTE--
GENERATOR SHOWN WITH PRIORITY FLOW DIVIDER
AND SOLENOID VALVE WITH DC COIL



CAPACITY	A	B	C	D	*E	F	G	H	J	L	M
2000 Watts- 110 VAC	3 1/2	3 3/16	7	2 5/16	1 1/2	14 1/4	8 1/16	6 3/4	3 7/16	6 3/4	5 1/2
3000 Watts- 110 VAC	5 1/2	3 1/16	7 1/2			16 3/4					
4000 Watts- 110 VAC						19 1/4					
4000 Watts- 220/110						19 1/4					

* SUBTRACT 1 1/4" FROM OVERALL LENGTH FOR GENERATORS WITHOUT A FLOW DIVIDER (BCH SERIES)

** ADD 5/16" TO OVERALL HEIGHT FOR SHOCK MOUNTING WASHERS.