

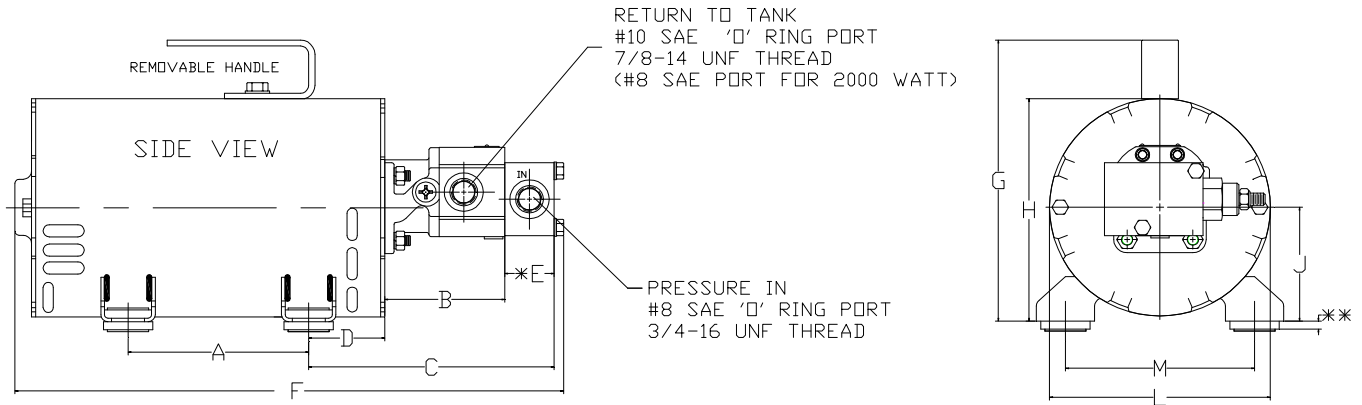
Model 2BCEHF-25/050 Specifications

2500 WATT

This generator is designed for lighter duty, providing power for lights, electric power tools, heaters, most universal motors up to 2 horse power or induction motors up to 1/3 horse power.

MECHANICAL STRUCTURE	Steel Frame and End Bells
VOLTAGE	220 Volts AC
WATTAGE	2500 Watt Continuous 3500-3750 Watt Max. Peak
ROTATION	Clockwise at hydraulic motor end.
SPEED	3000 R.P.M. (50 Hz.)
VOLTAGE REGULATION	12 Volt DC Regulator
EXCITATION	12 Volt DC
COOLING	Internal fan
TEMPERATURE RISE	50 degrees centigrade
INSULATION	Class F (155 degrees centigrade rating)
HYDRAULIC REQUIREMENTS (For 50 Cycle)	5.4 GPM (Max.) at 2000 PSI (20.5 LPM@138 BAR) Bypass/restrictive, fixed-orifice, priority flow control Mounted directly to 0.388 CID Hydraulic Motor
PORTS	#10 SAE (7/8-14) O-Ring Boss Inlet and Outlet
ELECTRICAL CONNECTION	3 leads out for AC- Black, White & Green 2 leads out for DC- Red & Blue
CIRCUIT PROTECTION	10 Amp Circuit Breaker in Brush Endbell
SHOCK DAMPENING MOUNTING	139.7x139.7mm Pattern Using Four M10x1.25 Hex Head Bolts
WEIGHT	30 kg

NOTE--
GENERATOR SHOWN WITH PRIORITY FLOW DIVIDER



Capacity	A	B	C	D	E	F	G	H	J	L	M	Shipping Wt.
1700 Watts	88.9	81	177.8	58.7	38.1	368	220.7	171.5	87.4	171.5	139.7	23 kg
2500 Watts	139.7	93.7	190.5			419						30 kg
3300 Watts						490						36 kg

All Dimensions in chart are millimeters.