

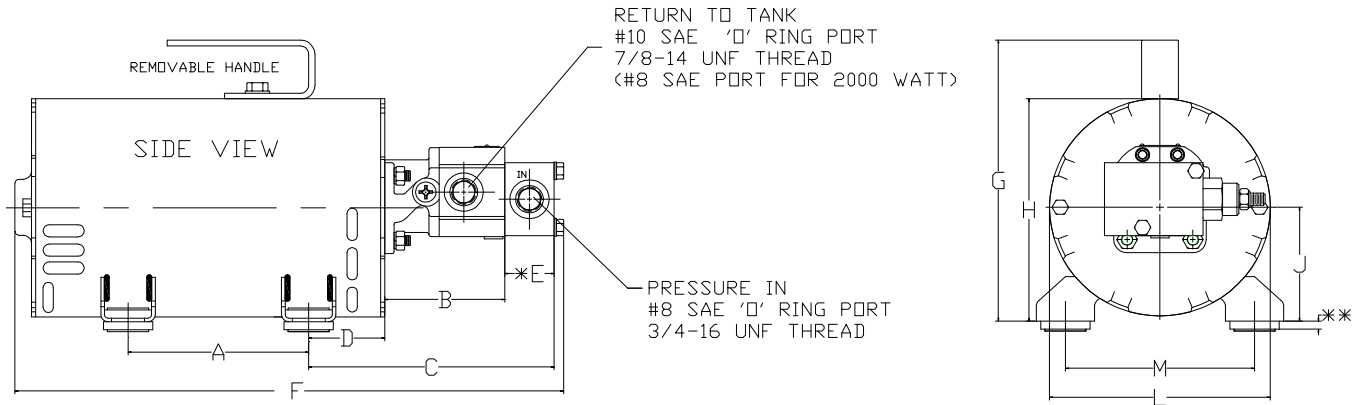
Model 1BCEHF-33/044 Specifications

3300 WATT

This generator is designed to provide power for electric tools such as chain saws, drills, impact wrenches, core drills, heaters, pumps, sprayers, universal motors up to 4 horse power or induction motors up to 1 horse power.

MECHANICAL STRUCTURE	<i>Steel Frame and End Bells</i>
VOLTAGE	<i>115 Volts AC</i>
WATTAGE	<i>3300 Watt Continuous 4700-4900 Watt Max. Peak</i>
ROTATION	<i>Clockwise at hydraulic motor end.</i>
SPEED	<i>3000 R.P.M. (50 Hz.)</i>
VOLTAGE REGULATION	<i>12 Volt DC Regulator</i>
EXCITATION	<i>12 Volt DC</i>
COOLING	<i>Internal fan</i>
TEMPERATURE RISE	<i>50 degrees centigrade</i>
INSULATION	<i>Class F (155 degrees centigrade rating)</i>
HYDRAULIC REQUIREMENTS <i>(For 50 Cycle)</i>	<i>7.3 GPM (Max.) at 2000 PSI (27.6LPM@138 BAR) Bypass/restrictive, fixed-orifice, priority flow control & 12VDC N.C. Solenoid Mounted directly to .517 CID Hydraulic Motor</i>
PORTS	<i>#10 SAE (7/8-14) O-Ring Boss Inlet #10 SAE (7/8-14) O-Ring Boss Outlet</i>
ELECTRICAL CONNECTION	<i>3 leads out for AC- Black, White & Green 2 leads out for DC- Red & Blue</i>
CIRCUIT PROTECTION	<i>25 Amp Circuit Breaker in Brush Endbell</i>
SHOCK DAMPENING MOUNTING	<i>139.7x139.7mm Pattern Using Four M10x1.25 Hex Head Bolts</i>
WEIGHT	<i>36 kg</i>

NOTE--
GENERATOR SHOWN WITH PRIORITY FLOW DIVIDER



Capacity	A	B	C	D	E	F	G	H	J	L	M	Shipping Wt.
1700 Watts	88.9	81	177.8	58.7	38.1	368	220.7	171.5	87.4	171.5	139.7	23 kg
2500 Watts	139.7	93.7	190.5			419						30 kg
3300 Watts						490						36 kg

All Dimensions in chart are millimeters.