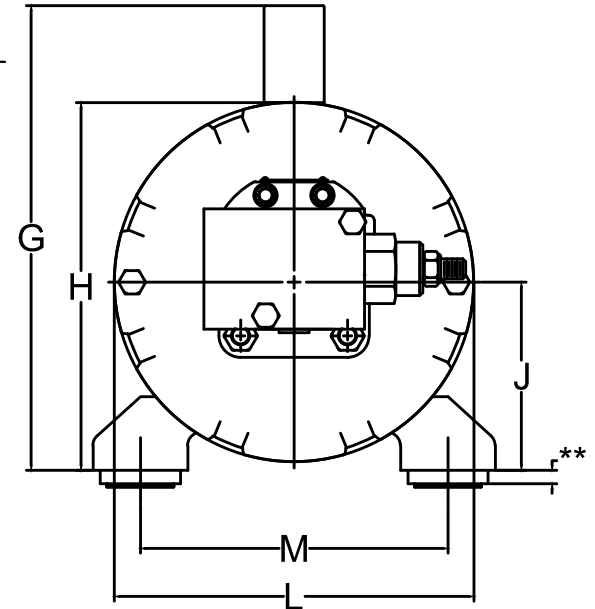
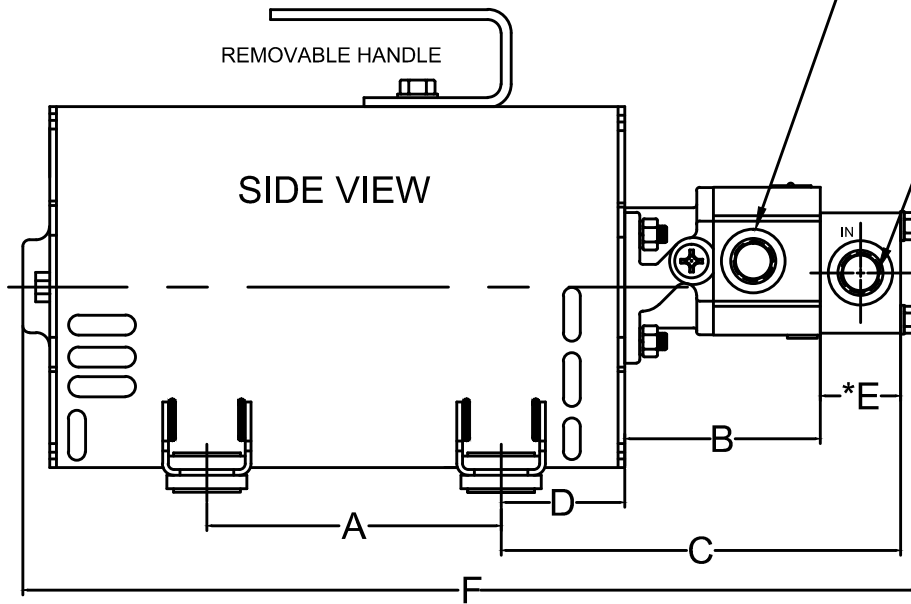


NOTE--  
GENERATOR SHOWN WITH PRIORITY FLOW  
DIVIDER

RETURN TO TANK  
#10 SAE 'O' RING PORT  
7/8-14 UNF THREAD  
(#8 SAE PORT FOR 2000 WATT)

PRESSURE IN  
#8 SAE 'O' RING PORT  
3/4-16 UNF THREAD



CAPACITY	A	B	C	D	*E	F	G	H	J	L	M
2000 Watts- 110 VAC	3- $\frac{1}{2}$	3- $\frac{3}{16}$	7	2- $\frac{5}{16}$	1- $\frac{1}{2}$	14- $\frac{1}{4}$	8- $\frac{11}{16}$	6- $\frac{3}{4}$	3- $\frac{7}{16}$	6- $\frac{3}{4}$	5- $\frac{1}{2}$
3000 Watts- 110 VAC	5- $\frac{1}{2}$	3- $\frac{11}{16}$	7- $\frac{1}{2}$			16- $\frac{3}{4}$					
4000 Watts- 110 VAC						19- $\frac{1}{4}$					
4000 Watts- 220/110						19- $\frac{1}{4}$					

\* SUBTRACT 1 1/4" FROM OVERALL LENGTH FOR GENERATORS WITHOUT A FLOW DIVIDER ( BCH SERIES)

\*\* ADD 5/16" TO OVERALL HEIGHT FOR SHOCK MOUNTING WASHERS.