

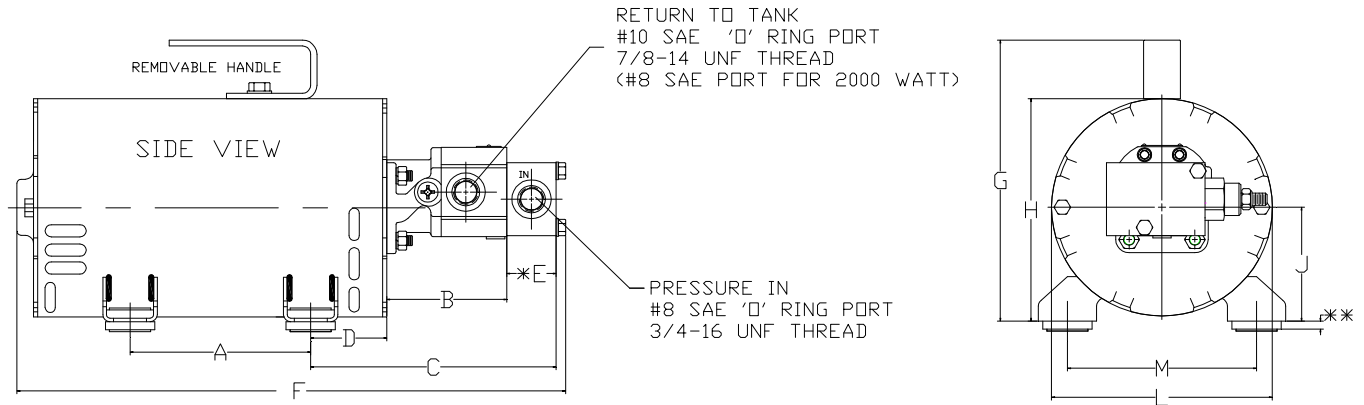
# Model 1BCEHF-25/032 Specifications

## 2500 WATT

*This generator is designed for lighter duty, providing power for lights, electric power tools, heaters, most universal motors up to 2 horse power or induction motors up to 1/3 horse power.*

<b>MECHANICAL STRUCTURE</b>	Steel Frame and End Bells
<b>VOLTAGE</b>	115 Volts AC
<b>WATTAGE</b>	2500 Watt Continuous 3500-3750 Watt Max. Peak
<b>ROTATION</b>	Clockwise at hydraulic motor end.
<b>SPEED</b>	3000 R.P.M. (50 Hz.)
<b>VOLTAGE REGULATION</b>	12 Volt DC Regulator
<b>EXCITATION</b>	12 Volt DC
<b>COOLING</b>	Internal fan
<b>TEMPERATURE RISE</b>	50 degrees centigrade
<b>INSULATION</b>	Class F (155 degrees centigrade rating)
<b>HYDRAULIC REQUIREMENTS</b> (For 50 Cycle)	3.8 GPM (Max.) at 2000 PSI (14.4LPM@138 BAR) Bypass/restrictive, fixed-orifice, priority flow control Mounted directly to .258 CID Hydraulic Motor
<b>PORTS</b>	#8 SAE (3/4-16) O-Ring Boss Inlet and Outlet
<b>ELECTRICAL CONNECTION</b>	3 leads out for AC- Black, White & Green 2 leads out for DC- Red & Blue
<b>CIRCUIT PROTECTION</b>	20 Amp Circuit Breaker in Brush Endbell
<b>SHOCK DAMPENING MOUNTING</b>	139.7x139.7mm Pattern Using Four M10x1.25 Hex Head Bolts
<b>WEIGHT</b>	30 kg

NOTE--  
GENERATOR SHOWN WITH PRIORITY FLOW DIVIDER



Capacity	A	B	C	D	E	F	G	H	J	L	M	Shipping Wt.
1700 Watts	88.9	81	177.8	58.7	38.1	368	220.7	171.5	87.4	171.5	139.7	23 kg
2500 Watts	139.7	93.7	190.5			419						30 kg
3300 Watts						490						36 kg

*All Dimensions in chart are millimeters.*